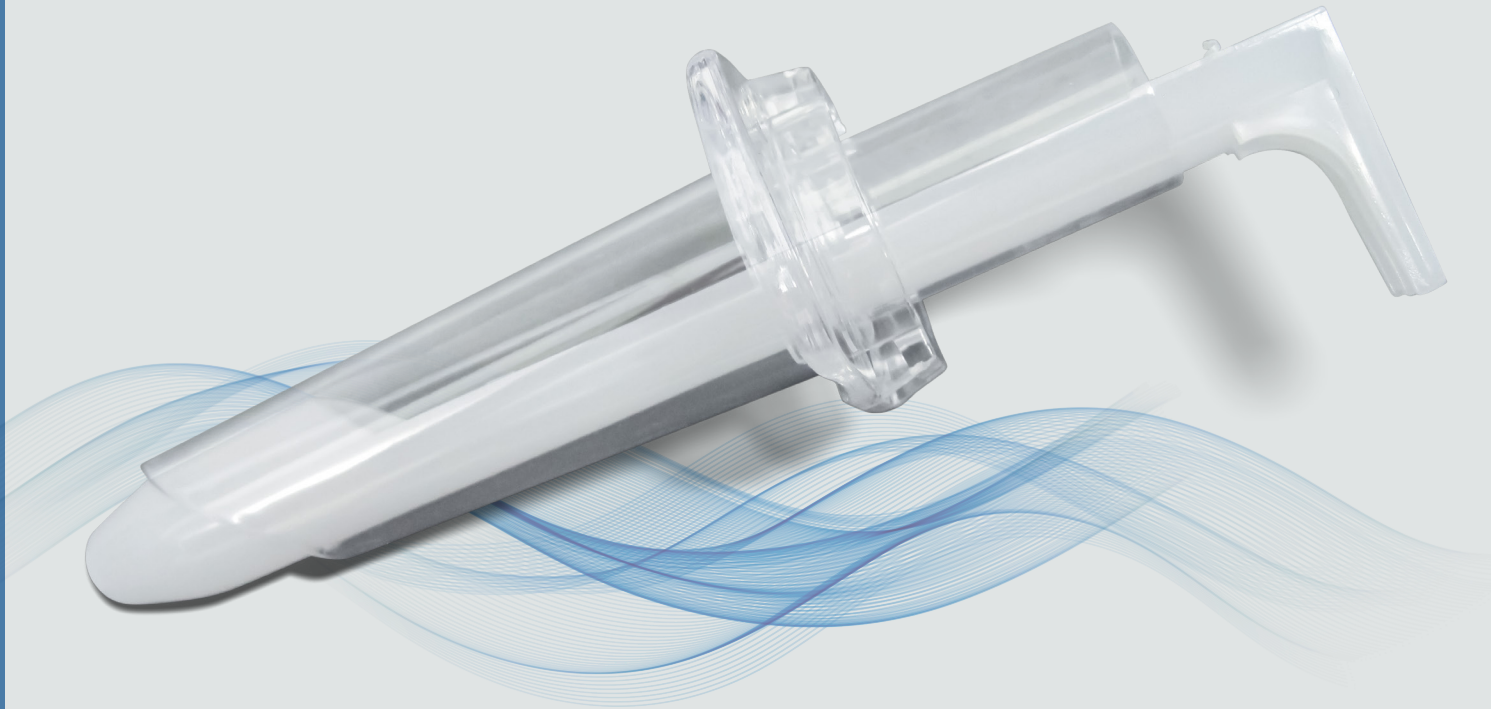


## SoloSpec<sup>™</sup> Anoscope

Introducing the new SoloSpec<sup>™</sup> disposable anoscope with bevel tip.

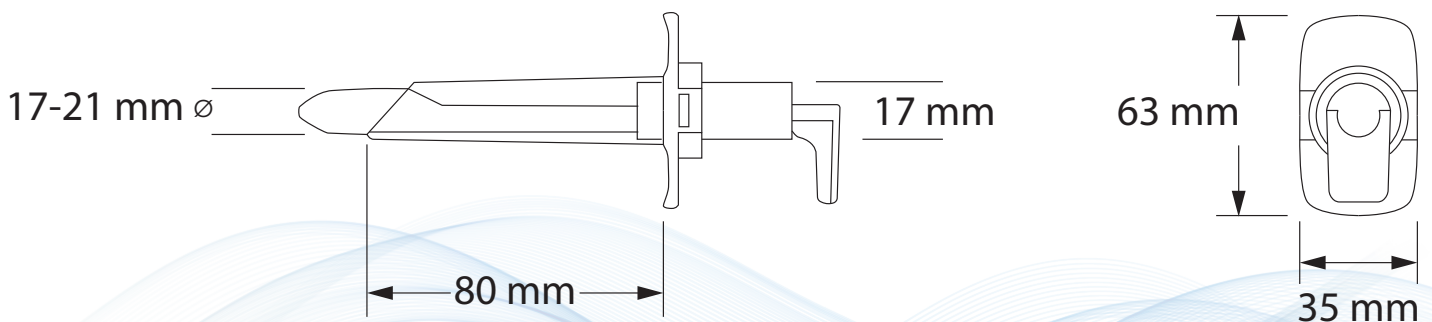
Made of environmentally friendly plastic, it conducts light very well and provides an optimal view for the examiner and a gentle examination for the patient.





## Benefits

- The beveled tip provides better access for treatment of hemorrhoids.
- Smooth transition between the obturator and anoscope body
- Compatible with Welch Allyn & Heine Illumination systems
- Improves infection control by reducing potential patient to patient cross-contamination



## Material

- Polystyrene crystal, Polyethylene HD
- Environmentally friendly

### Order Code:

42301-2-SC – SoloSpec™ Disposable Anoscope Bevel Tip. Case /25

Distributed by:

**ORION**<sup>™</sup>  
CONCEPTS

[orionconceptsinc.com](http://orionconceptsinc.com)